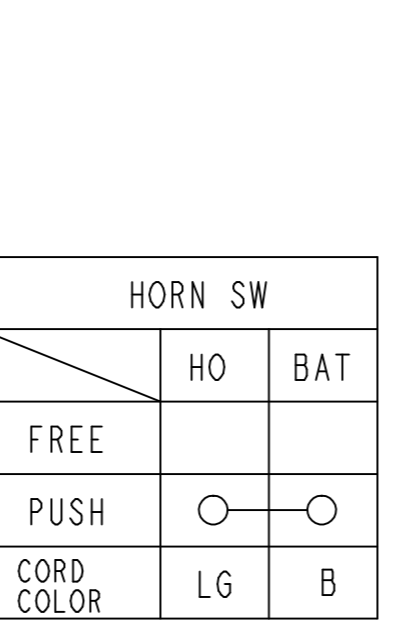
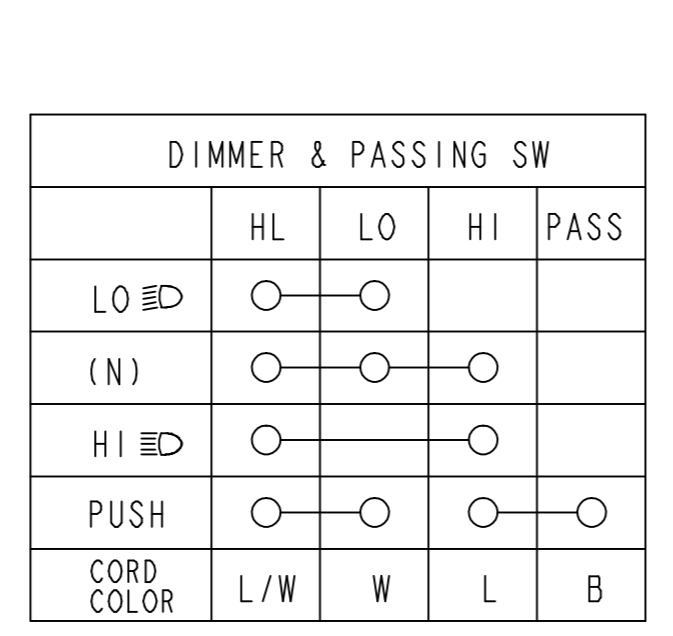
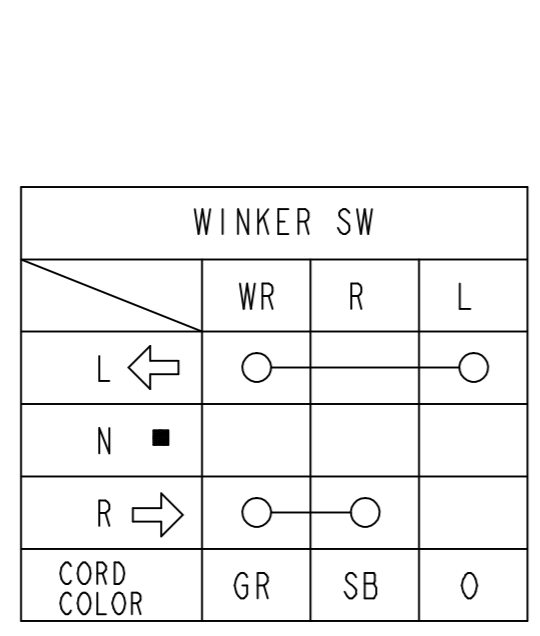
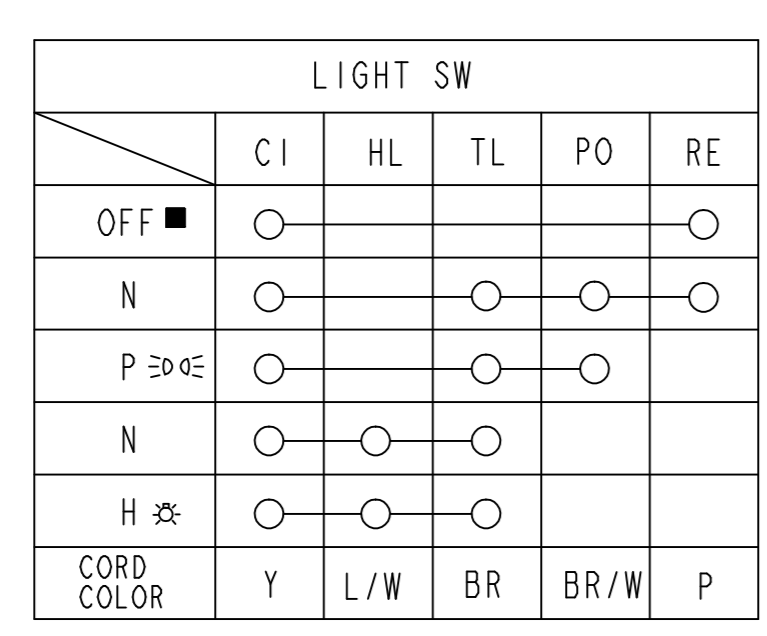
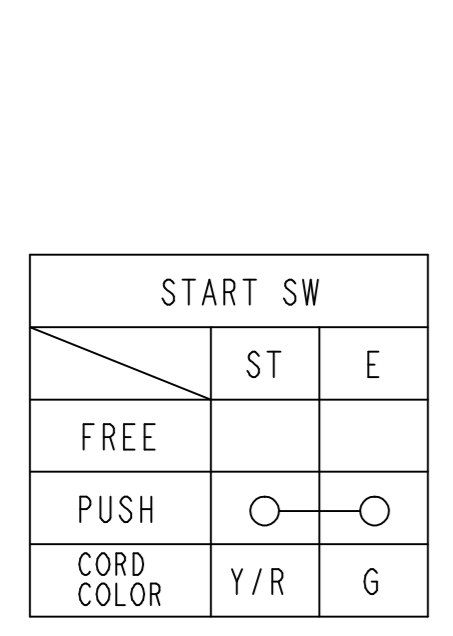
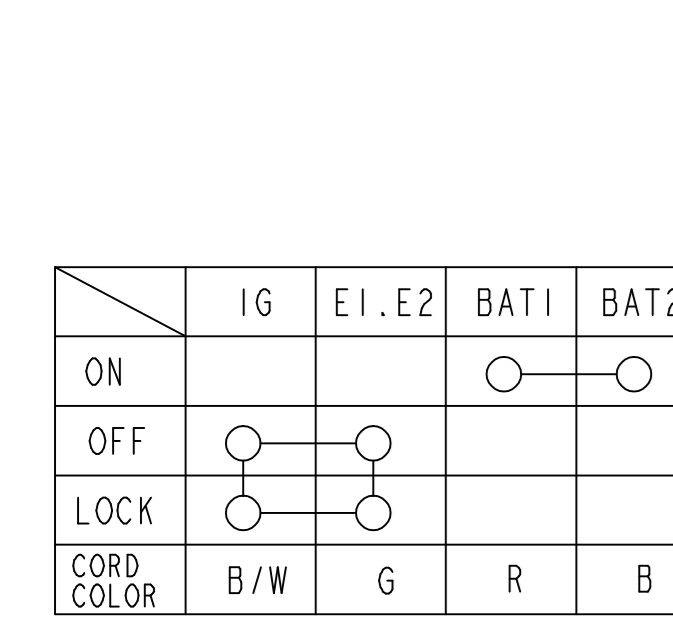
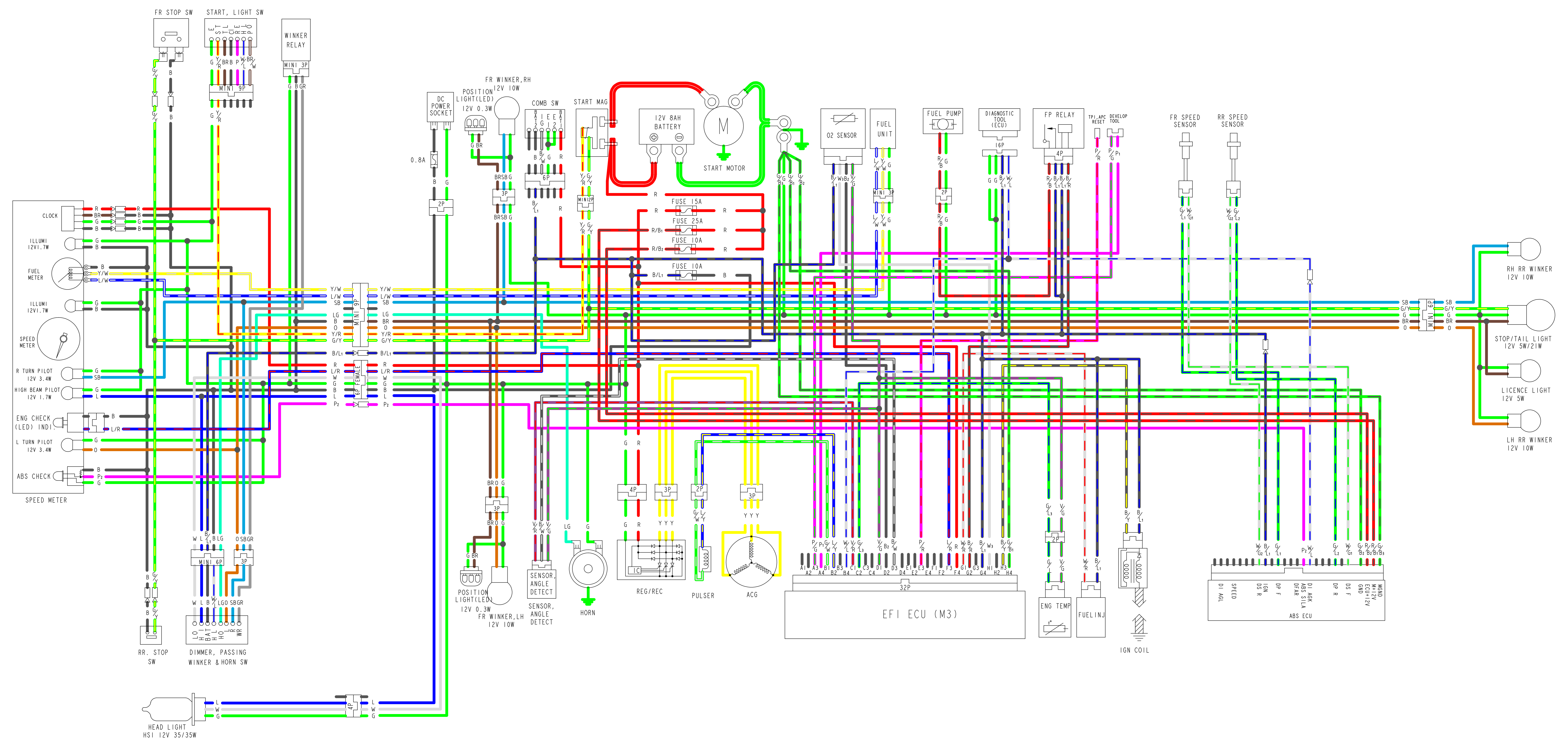
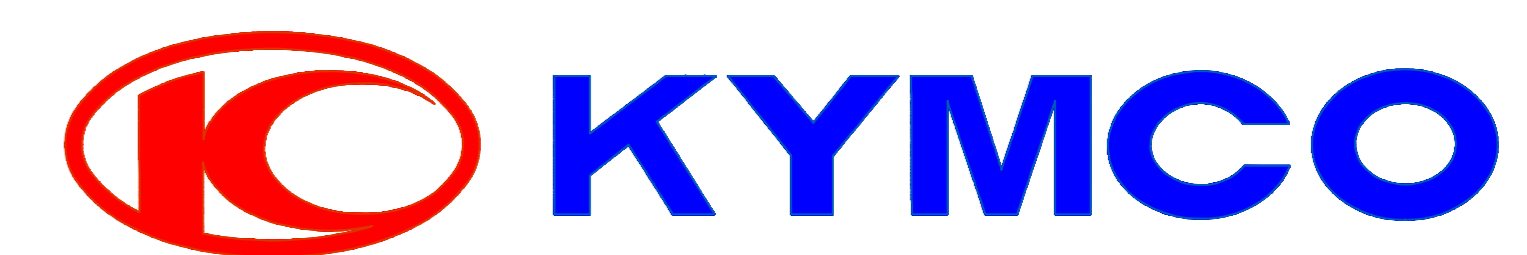


# Aiglity 16+ 150i WIRING DIAGRAM



PIN	COLOR	LABEL	PI FUNCTION	PIN	COLOR	LABEL	PI FUNCTION	PIN	COLOR	LABEL	PI FUNCTION
C4				F4	R/B	VBD	DIRECT BATTERY VOLTAGE	ECU			
C3				E3	L/R	CELP	CHECK ENGINE LAMP	CHECK LAMP			
C2	G/L	ECT	ENGINE TEMPERATURE SENSOR	F2							
C1	W/R	V_SENS	SENSOR SUPPLY	F1							
B4	W/L	X_LINE	SERIAL COMMUNICATIONS	E4				H4	G/B	POND	POWER GROUND
B3				E3	P/R	DIG.2	DIGITAL INPUT (CPI RESET)	TP1	H3	R/Y	IGN
B2	L/Y	CRK_POS	CRANKSHAFT POSITION SENSOR (+)	E2				H2			
B1	G/W	CRK_NEG	CRANKSHAFT POSITION SENSOR (-)	E1				H1	W	HDO.WAY	HEATED O2 SENSOR
A6	P	CAN_LOW	SERIAL COMMUNICATIONS	D4				G4	B/L	VBK	BATTERY VOLTAGE AFTER KEY
A3	P/W	CAN_HIGH	SERIAL COMMUNICATIONS	CAN				G4			ECU (KEY)
A2				D3	B/W	TSW	TILT SWITCH				
A1				D2	B	HDO.SEM	HEATED O2 SENSOR	O2			
				D1	V/G	SGND	SENSOR GROUND	O2	G3		
				A1				G3	B/R	FUEL.PMP	FUEL PUMP
								G3	W/R	INJ	INJECTOR

